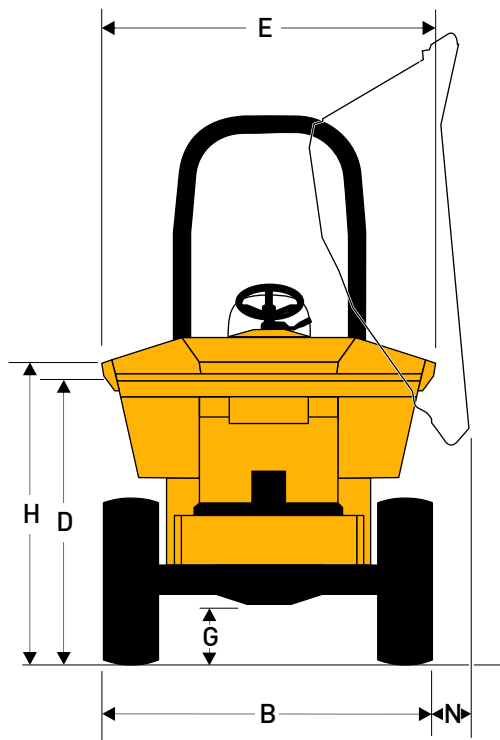
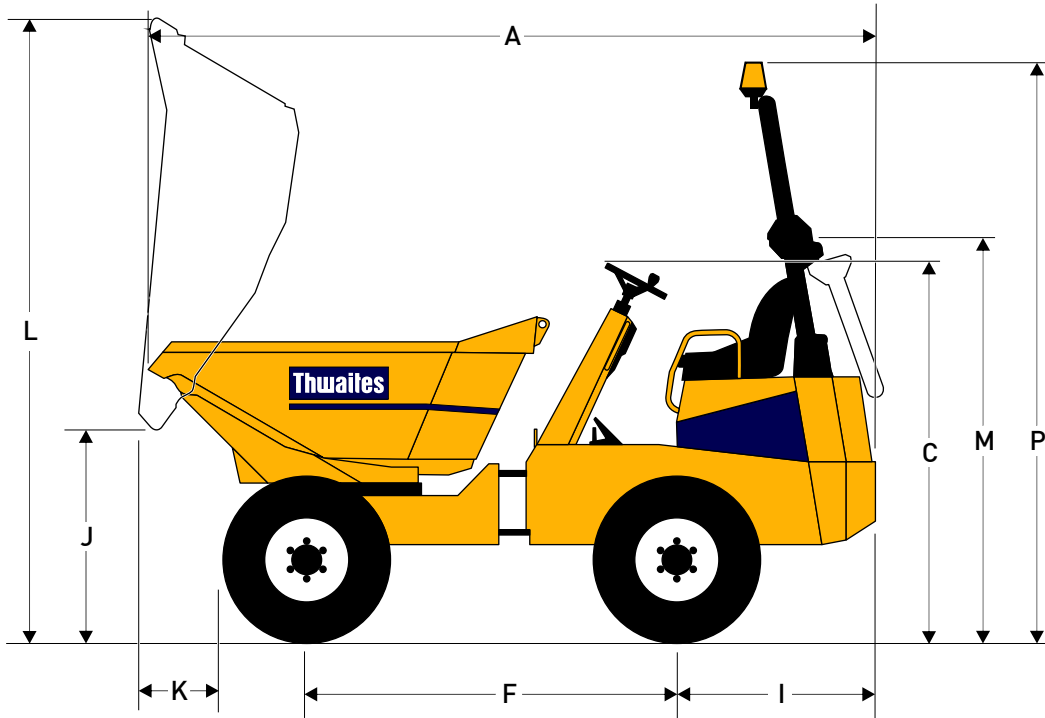


► SPECIFICATIONS

3.5 Tonne Powerswivel Hydrostatic

MACH474



**Dimensions
(mm)**

A	4010
B	1750
C	2013
D	1520
E	1770
F	1980
G	280
H	1600
I	1130
J	1110
K	530
L	3290
M	2120
N	250
P	3140